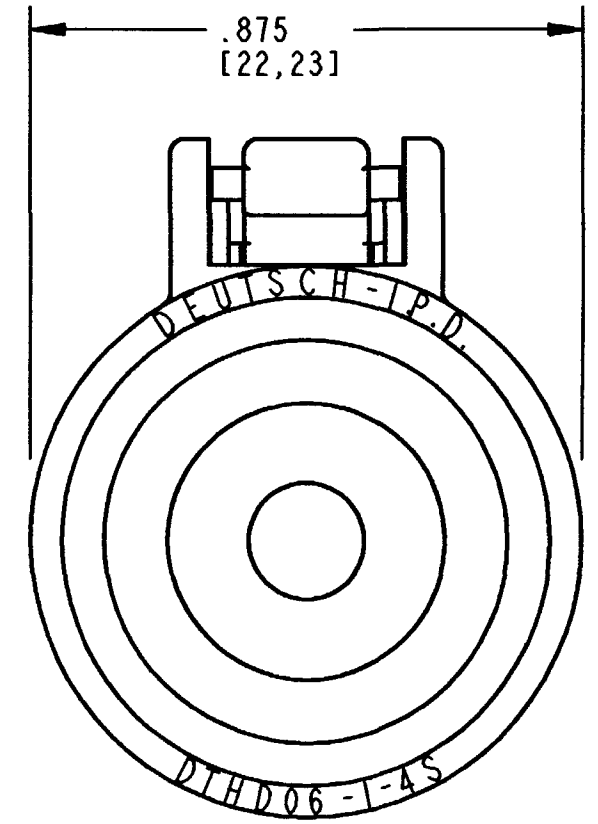
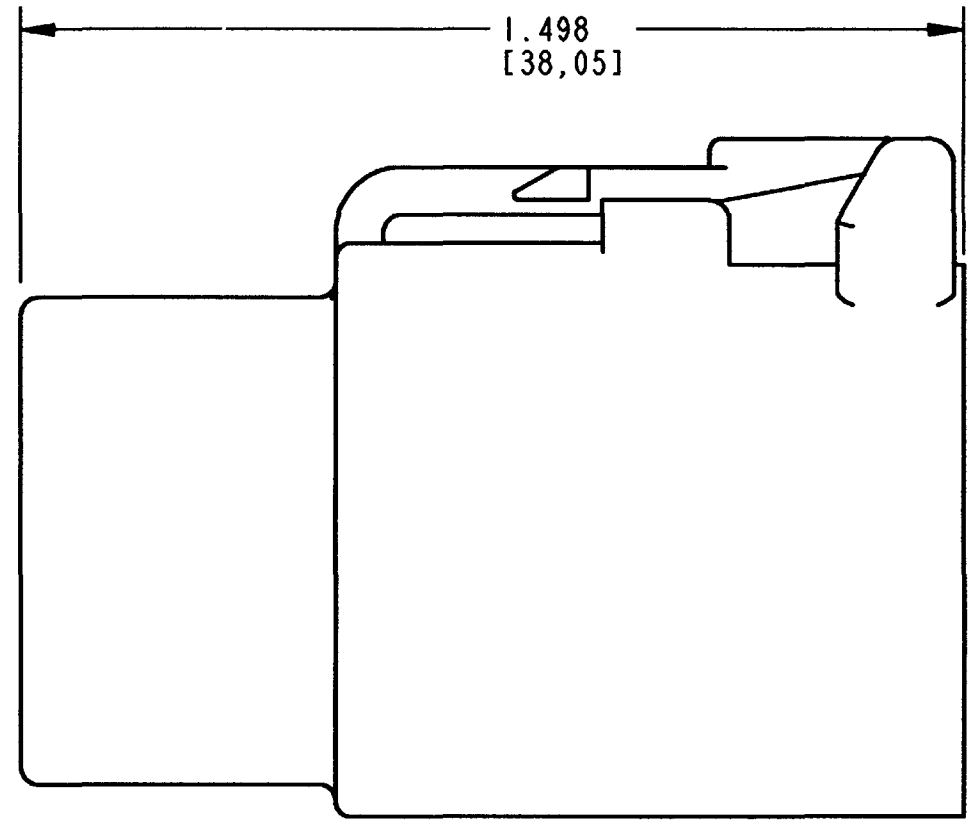
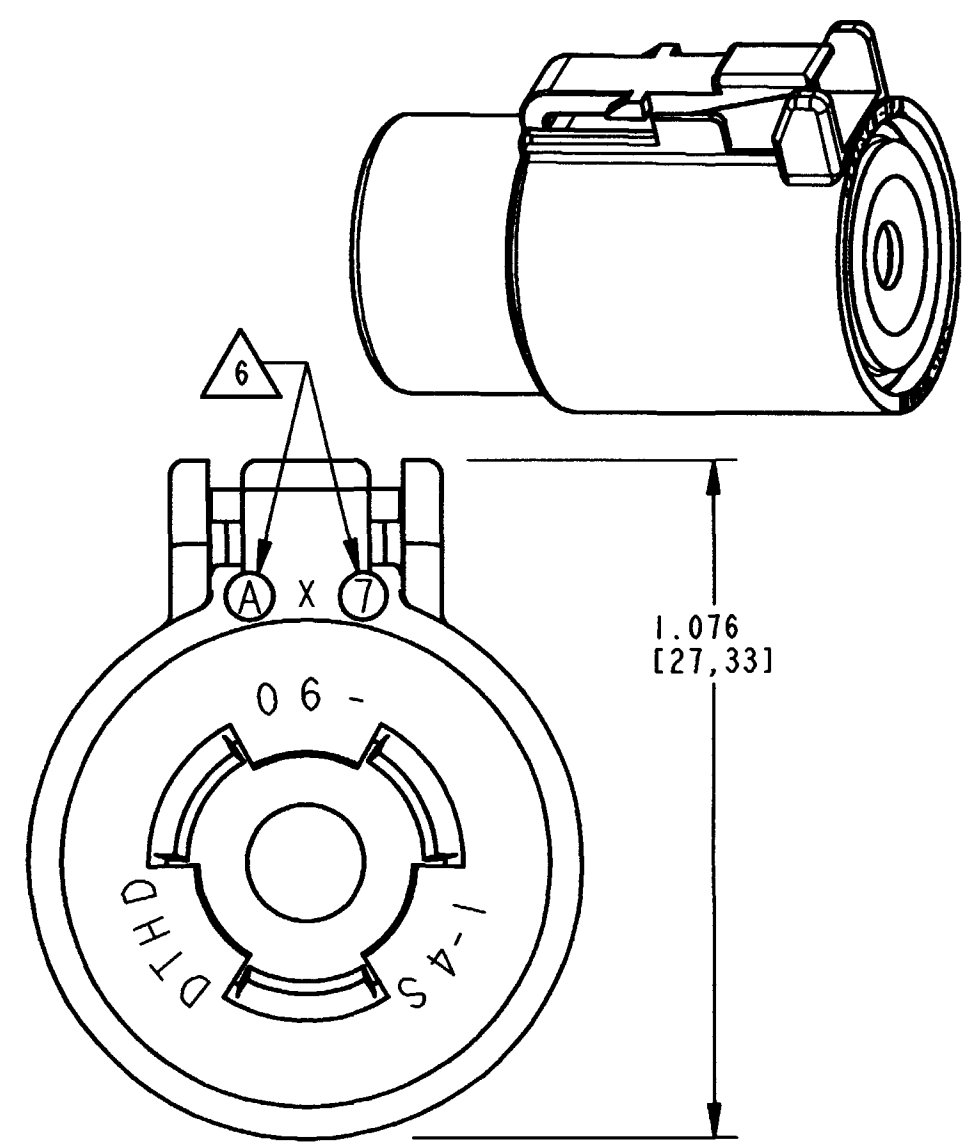


REV
A **DTHD06-1-4S**

REVISIONS			
SYM	DESCRIPTION	DATE	APPROVED
NC	NEW RELEASE PER E.O. A14636	12-6-94	R.D.R.
A	REVISED PER E.O. P18599	6-29-04	RDR



6 DATE CODE: MONTH IS REPRESENTED BY SEQUENTIAL ALPHA CHARACTERS. EX: A = JANUARY.
YEAR IS REPRESENTED BY LAST NUMERIC DIGIT. EX: 2 = 2002.

5 MATERIAL: HOUSING: PLASTIC, GROMMET: RUBBER.

4 THIS PLUG MATES WITH DTHD04-1-4P-**** RECEPTACLE.
(**** = ALL MODIFICATIONS)

3 FOR CONTACT AND WIRE PERFORMANCE AND APPLICATION CHARACTERISTIC
SEE ENVELOPE DRAWING 0425-015-0000.

2 DIMENSION TOLERANCE: ±.025 [.64].

1 DIMENCIONS ARE IN INCHES [mm].

NOTES: UNLESS OTHERWISE SPECIFIED.

WIRE INSULATION DIA			
CONTACT SIZE	MINIMUM O.D.	MAXIMUM O.D.	WIRE RANGE [mm ²] REF. ONLY
4	.280 [7.11]	.292 [7.41]	6 AWG [13.0]

SIGNATURE & DATE	
DR	V. TONSA JUN-9-04
CHK	<i>[Signature]</i>
PE	<i>[Signature]</i> JUN-10-04
APPD	<i>[Signature]</i>
SCALE	3.5:1

PLUG
#4 HD CONTACT
DTHD SERIES
COLOR BLACK

ENVELOPE

CP	MATL. CODE
The Deutch Company DEUTSCH I.P.D. 3850 INDUSTRIAL AVE. HEMET, CALIF. 92545	
B DTHD06-1-4S	
DWG SIZE	CODE 11139 SHEET OF